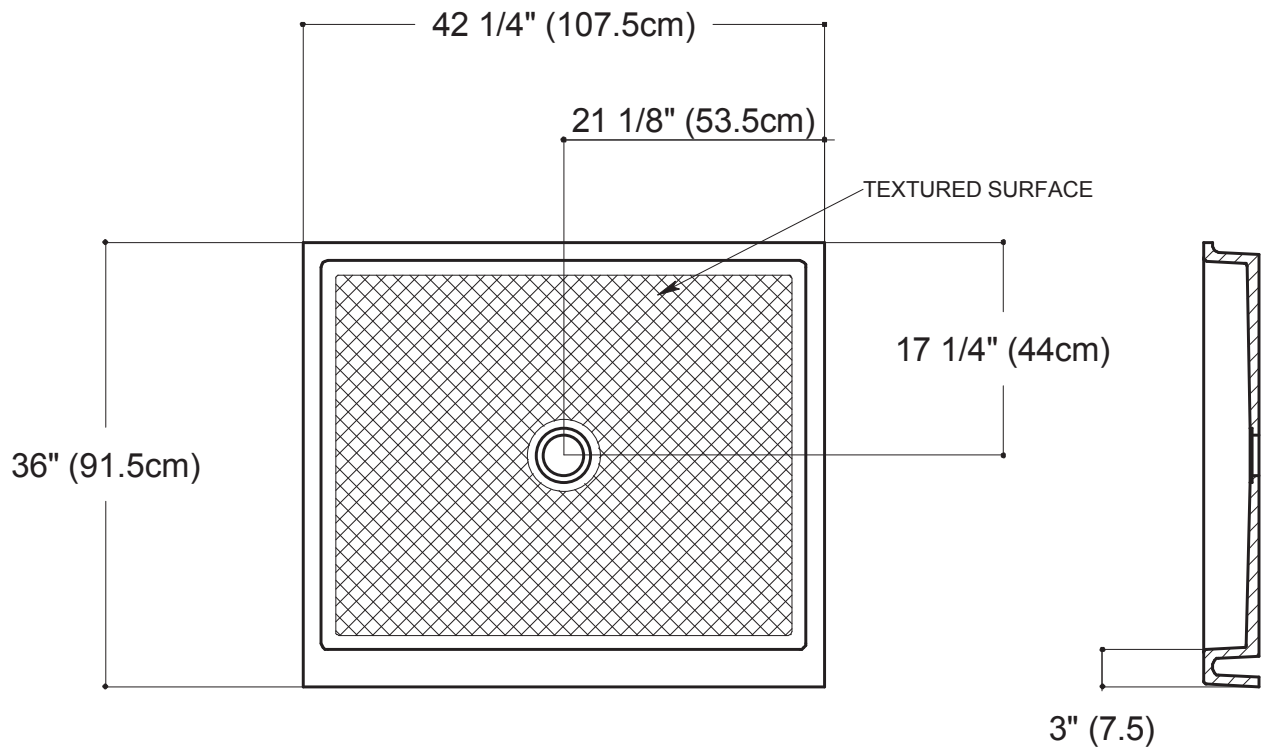


# Wilson Marble Company

Custom Made Cultured Marble Products

*Serving Builders and Home Owners Since 1972*

## 36" x 42" Standard Rectangular



1/4" PER FT. DRAIN SLOPE



4 1/2" (11.5cm)

P. O. Box 2562 (Highway 70 West), Marion, NC 28752  
(828) 724-4782 • Fax: (828) 724-9846