

Wilson Marble Company

Custom Made Cultured Marble Products

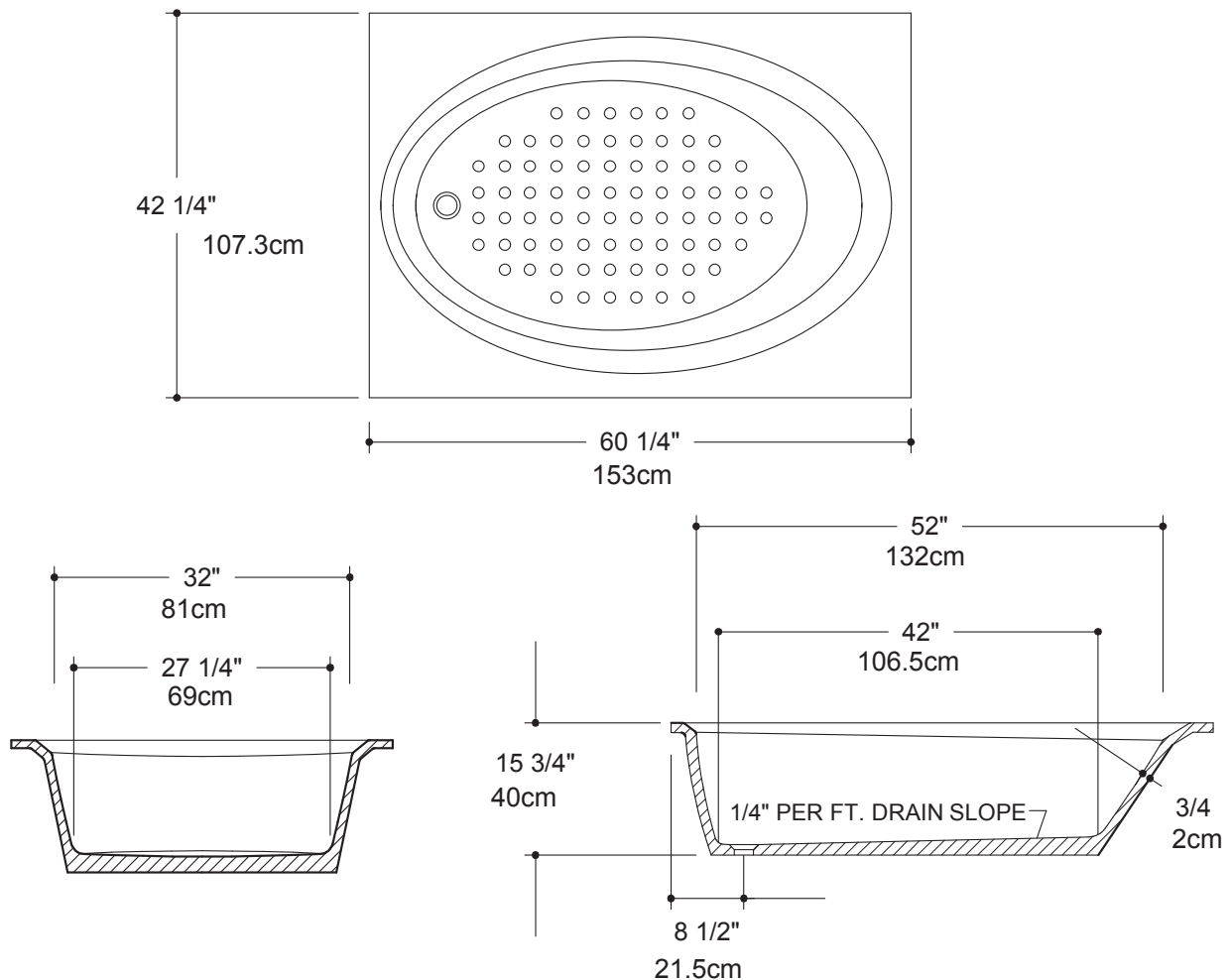
Serving Builders and Home Owners Since 1972

Mark 14

This unusually large tub incorporates such popular design features as a broad rectangular shape, gracefully flared edge and a different angle of slope at each end, one for sitting and one for reclining.

Cast Wt. of Tub: 460 lbs. (209 kg)

Capacity of Tub: 105 gal. (398 liters)



P. O. Box 2562 (Highway 70 West), Marion, NC 28752
(828) 724-4782 • Fax: (828) 724-9846