

Wilson Marble Company

Custom Made Cultured Marble Products

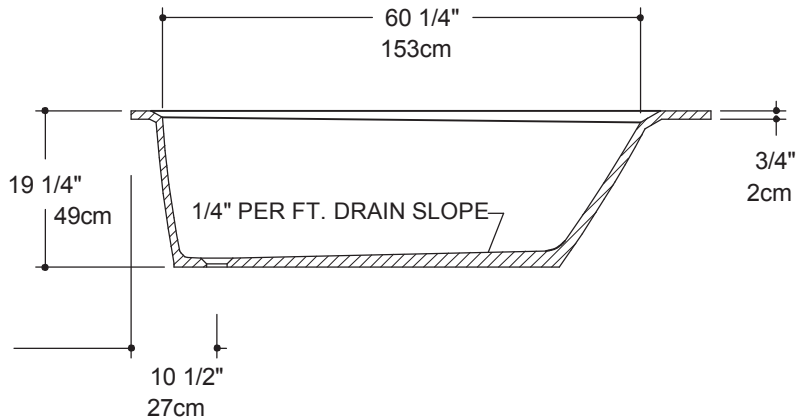
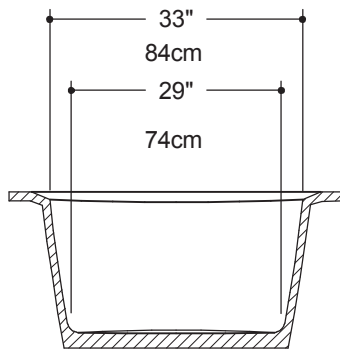
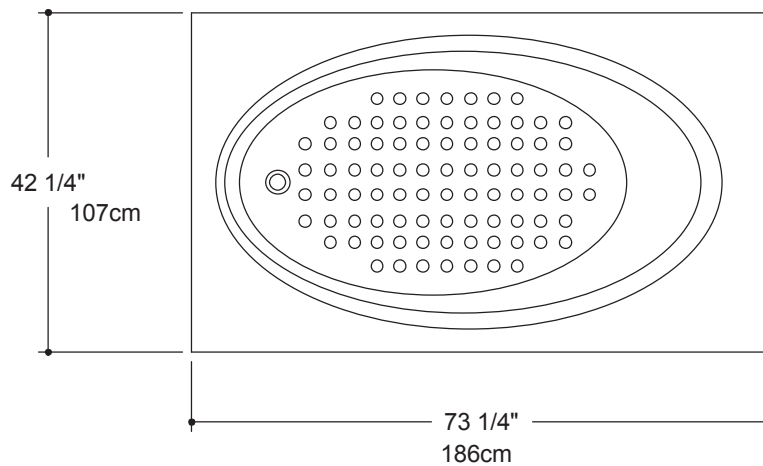
Serving Builders and Home Owners Since 1972

Mark 17

The Mark 17 is 6' long, extra wide, and extra deep. This spacious bathtub is ideal for today's more luxurious bath environments.

Cast Wt. of Tub: 330 lbs. (150 kg)

Capacity of Tub: 79 gal. (299 liters)



P. O. Box 2562 (Highway 70 West), Marion, NC 28752
(828) 724-4782 • Fax: (828) 724-9846