

Wilson Marble Company

Custom Made Cultured Marble Products

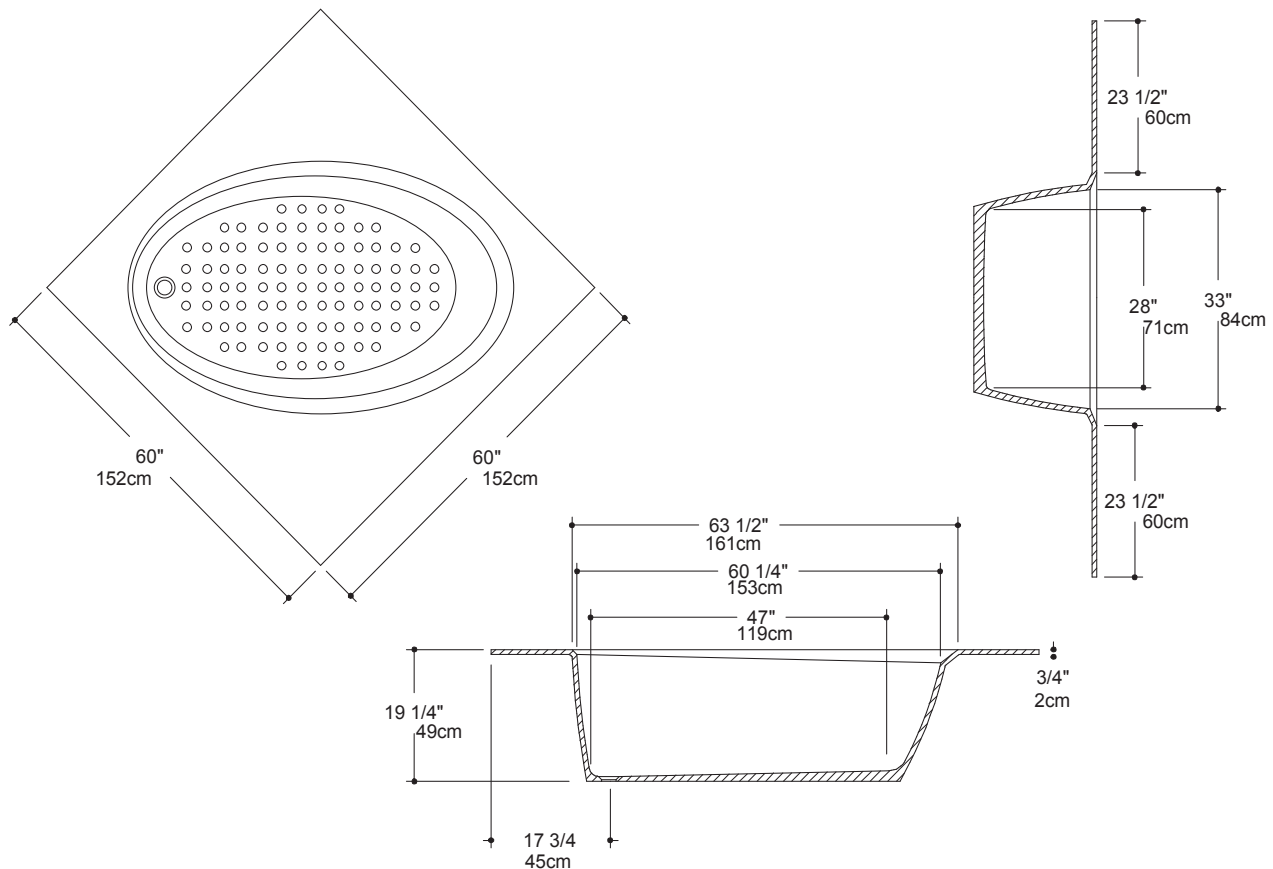
Serving Builders and Home Owners Since 1972

Mark 28

The ever popular oval tub design has been incorporated into a 5 ft. square deck making it ideal for corner installations. The generous deck size of the Mark 28 allows for creative blocking and shaping to accommodate custom installations. Mark 17 (42" x 73") offers oval design without decking.

Cast Wt. of Tub: 360 lbs. (164 kg)

Capacity of Tub: 79 gal. (299 liters)



P. O. Box 2562 (Highway 70 West), Marion, NC 28752
(828) 724-4782 • Fax: (828) 724-9846