

# Wilson Marble Company

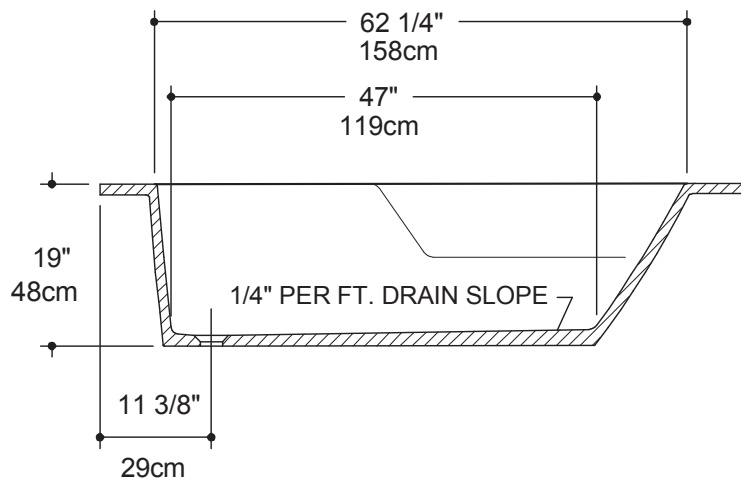
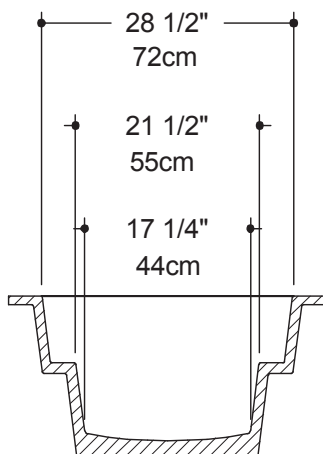
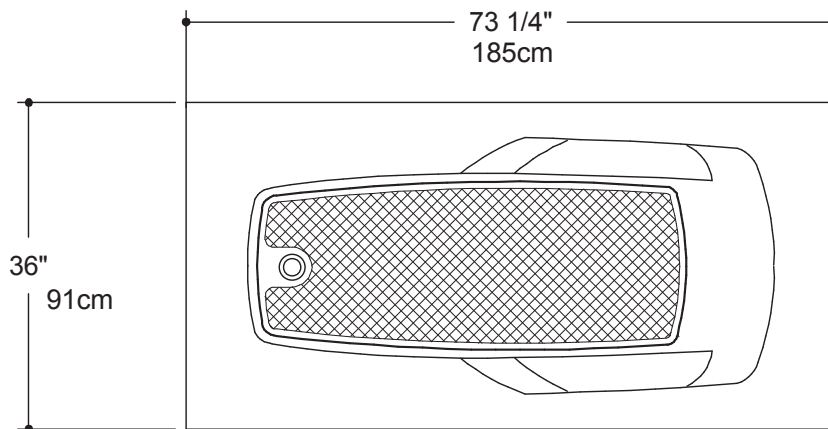
Custom Made Cultured Marble Products

*Serving Builders and Home Owners Since 1972*

## Mark 8

The bathtub has a spacious 36" x 72" overall size and features a body contoured design with no skid bottom and built-in armrests for added style and luxury. Mark 9 available in 32" x 61" overall size.

Cast Wt. of Tub: 330 lbs. (150 kg)  
Capacity of Tub: 65 gal. (246 liters)



P. O. Box 2562 (Highway 70 West), Marion, NC 28752  
(828) 724-4782 • Fax: (828) 724-9846