

Wilson Marble Company

Custom Made Cultured Marble Products

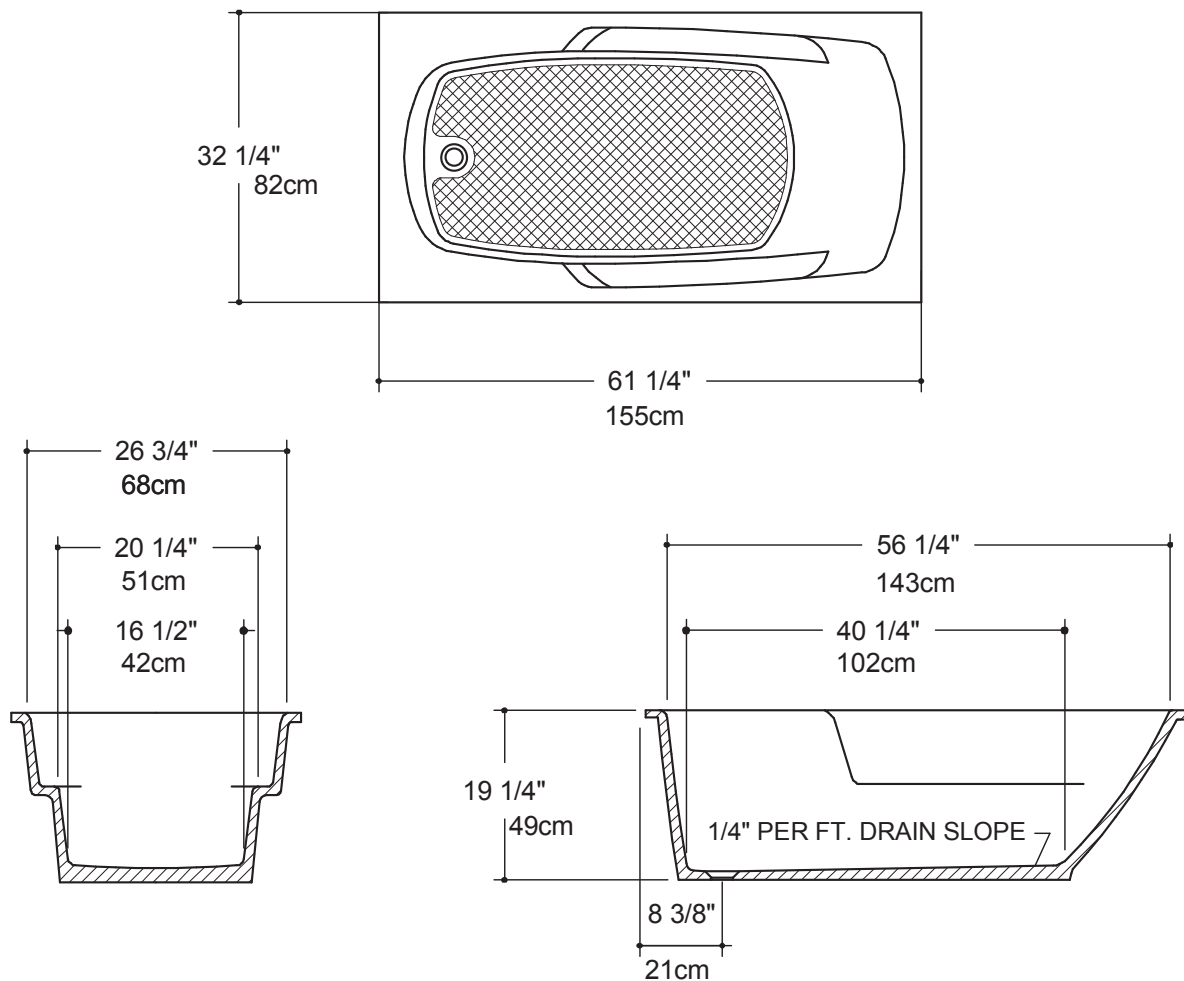
Serving Builders and Home Owners Since 1972

Mark 9

The Mark 9 incorporates the same design features as the Mark 8, but in a more compact 32" x 61" overall size. This tub is ideally suited for the remodeling market.

Cast Wt. of Tub: 265 lbs. (120 kg)

Capacity of Tub: 55 gal. (208 liters)



P. O. Box 2562 (Highway 70 West), Marion, NC 28752
(828) 724-4782 • Fax: (828) 724-9846